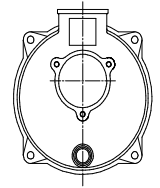
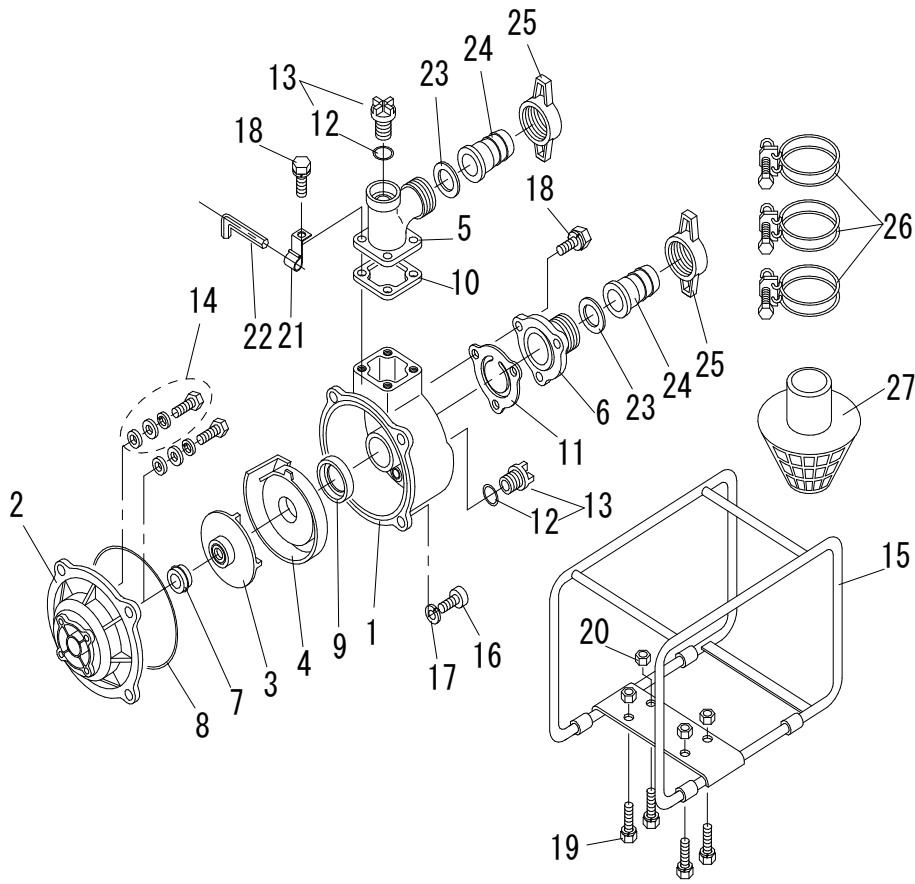
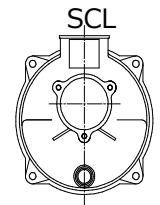


SST-50HX

SST-50R/RX



OEL



SCL

2R-07118

REF No.	Parts No.	Parts name	Q'ty	Price	Remarks
	ENGINE	ROBIN EY15	1		
		HONDA GX120	(1)		
		ROBIN EX13	(1)		
1	200 200 120	CASING	1		SCL-50
	200 200 140	CASING	1		OEL-50
2	200 200 770	CASING COVER	1		
3	200 210 470	IMPELLER	1		
4	200 210 490	INNER CASING	1		
5	200 200 240	BEND	1		EX-HIGH-PF
	200 200 242	BEND	(1)		EX-HIGH-NPT
	200 200 560	BEND	1		EX-LOW-PF
	200 200 611	BEND	(1)		EX-LOW-NPT
6	200 200 230	VALVE CASE	1		EX-PF
	200 200 231	VALVE CASE	1		EX-NPT
7	201 100 051	MECHANICAL SEAL	1		2",3"Sic
8	200 800 180	O-RING	1		W1517-45
9	200 900 240	PACKING, INNER CASING	1		
10	200 900 170	PACKING, BEND	1		
11	200 900 120	CHECK VALVE	1		
12	200 800 020	O-RING	(2)		P-24
13	200 500 040	PLUG ASSY	2		
14	203 000 100	CASING BOLT ASSY	4		M8×50
15	200 100 040	FRAME (BLACK)	1		
	200 100 041	FRAME (WHITE)	(1)		
	200 100 042	FRAME (YELLOW)	(1)		

