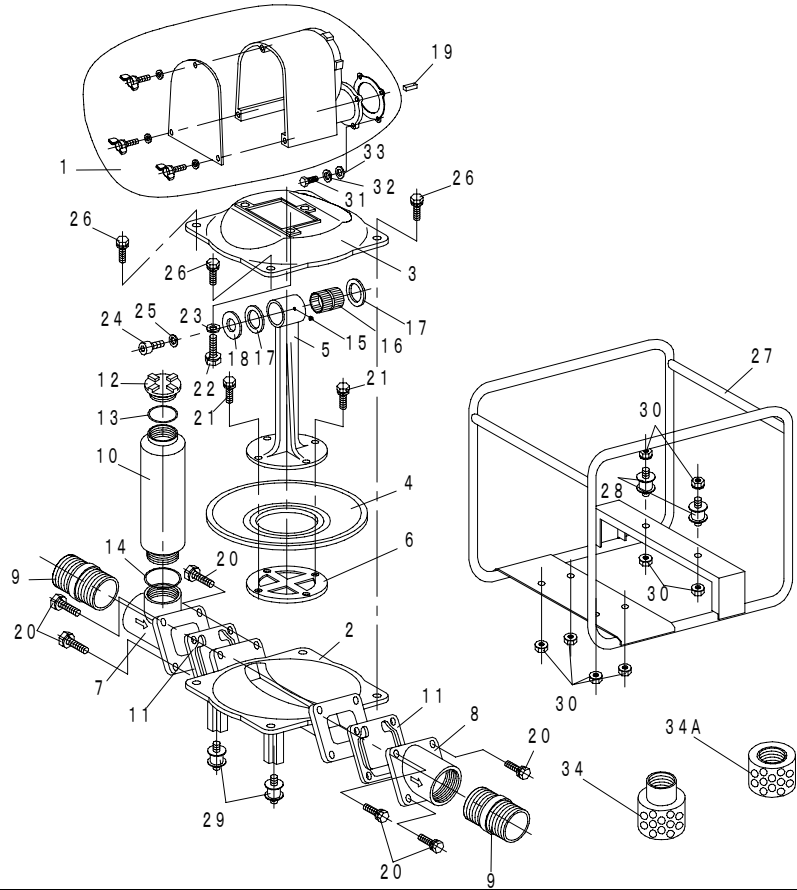


REF No.	Parts No.	Parts name	Q'ty	Price	Remarks
	ENGINE	HONDA GX120	1	-	
		ROBIN EY15	(1)	-	
1	531-042	GEAR ASSY	1		
2	531-017N	BODY PUMP(LOWER)	1		
3	531-001	BODY PUMP(UPPER)	1		
4	531-015	DIAPHRAGM	1		
5	531-014	ROD-PUMP	1		
6	531-016	CAP-DIAPHRAGM	1		
7	531-023N	FITTING-SUCTION (NPSM)	1		
8	531-026	FITTING-DISCHARGE (NPSM)	1		
9	521-038	FITING-PIPE (NPSM-PF)	2		
	521-038N	FITING-PIPE (NPSM-NPT)	(2)		
10	531-020	SUCTION CHAMBER	1		
11	531-024N	VALVE & INSERT	2		
	531-024W	VALVE & INSERT (WIDE TYPE)	(2)		
12	531-018	PLUG-FILLER	1		
13	531-019	PACKING,O-RING	1		
14	531-021	PACKING,O-RING	1		
15	531-009	GREASE FITTING	1		
16	531-008	BEARING-NEEDLE	1		
17	531-007	WASHER	2		
18	531-010	THRUST WASHER	1		
19	531-044	KEY-SQ	1		
20	531-012	SCREW -HEX HEAD M8x1.25x30	8		
21	531-012	SCREW -HEX HEAD M8x1.25x30	4		
22	501-003	BOLT M10x30SW	3		
23	531-029	PLAIN WASHER M10	3		
24	531-011	SCREW-SOC.HD.CAP M8x1.25x14	1		



REF No.	Parts No.	Parts name	Q'ty	Price	Remarks
25	501-007	WASHER SPRING M8	1		
26	531-002	SCREW -HEX HEAD M10x1.5x40	4		
27	531-028	FRAME (HONDA)	1		
	531-028R	FRAME (ROBIN)	1		
28	531-006	RUBBER VIBRATION ISOLATOR	2		
29	531-005	RUBBER VIBRATION ISOLATOR	4		
30	531-027	SPRING NUT M8	8		
31	531-041	SCREW-HEX HEAD 5/16-24	4		
32	501-007	WASHER SPRING M8	4		
33	501-008	PLAIN WASHER M8	4		
34	521-033	STRAINER (PF)	1		
34A	521-033N	STRAINER (NPT)	(1)		